



PATC
2016/06/06
Maison de la Simulation

**Understanding and managing
hardware affinities
on hierarchical platforms
With Hardware Locality (hwloc)**

Brice Goglin – TADaaM Team – Inria Bordeaux Sud-Ouest

Agenda

- Quick example as an Introduction
- Bind your processes
- What's the actual problem?
- Introducing hwloc (Hardware Locality)
- Command-line tools
- C Programming API
- Conclusion

Materials

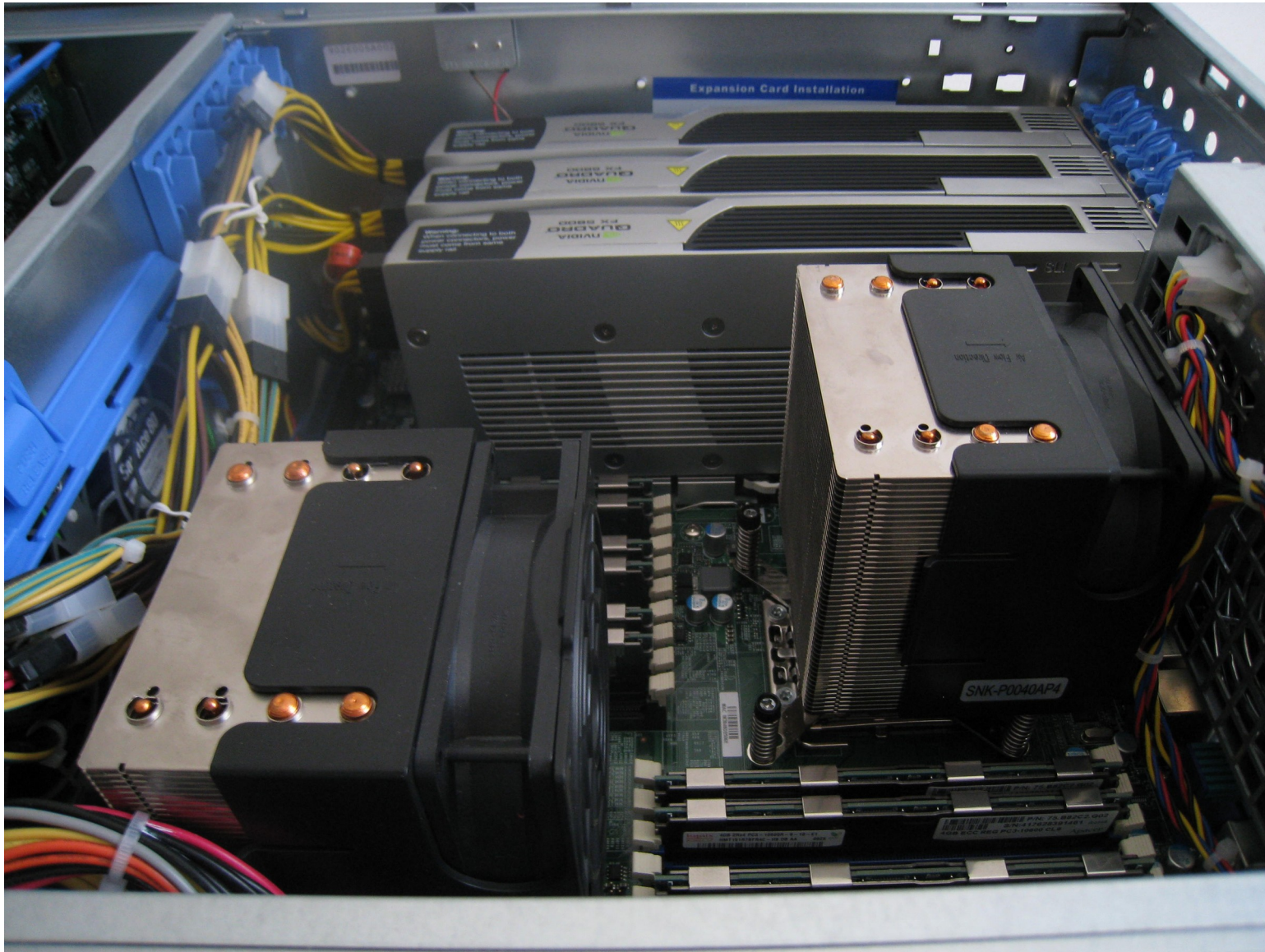
- All hwloc tutorials are available at

<http://www.open-mpi.org/projects/hwloc/tutorials>

1

**Quick example
as an Introduction**

Machines are increasingly complex



Machines are increasingly complex

- Multiple processors
 - Multicore processors (package = socket)
 - Simultaneous multithreading
 - Shared caches
 - NUMA nodes
 - Multiple GPUs, NICs, ...
-
- We cannot expect users to understand all this

Example with MPI

- Our latest cluster at Inria Bordeaux
 - 12-core Xeon E5-2600v3 with NVIDIA K40, etc.
- Nice, let's run some benchmarks!
 - Open MPI 1.8.1
 - Intel MPI benchmarks 3.2

Example with MPI – Results

- Between cores 0 and 1
 - 540ns, 3500MiB/s
- Between cores 0 and 2
 - 330ns, 4220MiB/s
- Between cores 0 and 12
 - 430ns, 4290MiB/s
- Between cores 0 and 23
 - 590ns, 3410MiB/s

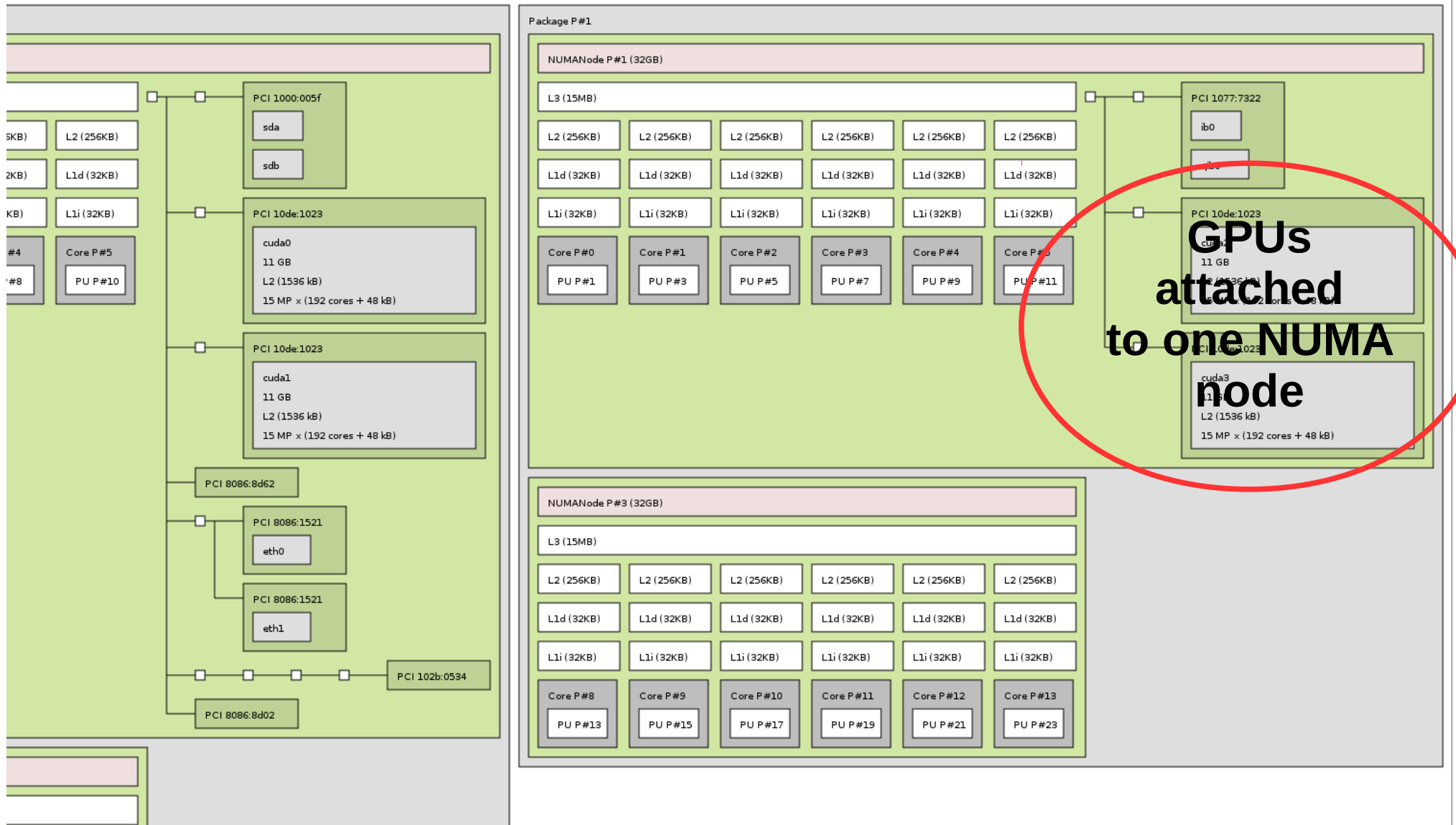
What is going on?



First take away messages

- Locality matters to communication performance
 - Machines are really far from flat
 - Similar issues with POWER8, AMD Opterons, Fujitsu Sparc Xlfx
- Cores numbering is crazy
 - Never expect anything sane

It's actually worse than that



I/O affinity

- If you use GPUs or high performance networks, you must allocate host memory close to them
 - Otherwise DMA to GPUs slows down by 10-20% here
 - InfiniBand latency increases by 10%
- Need a way to know which cores/memory is close to which I/O device

2

Bind your processes

Where does locality actually matter?

- MPI communication performance varies with distance
 - Inside or outside nodes
- Shared memory too (threads, OpenMP, etc.)
 - Synchronization
 - Barriers use caches and memory too
 - Concurrent access to shared buffers
 - Producer-consumer, etc
- 15 years ago, locality was mostly an issue for large NUMA SMP machines (SGI, etc.)
 - Today it's everywhere
 - Because multicores and NUMA are everywhere

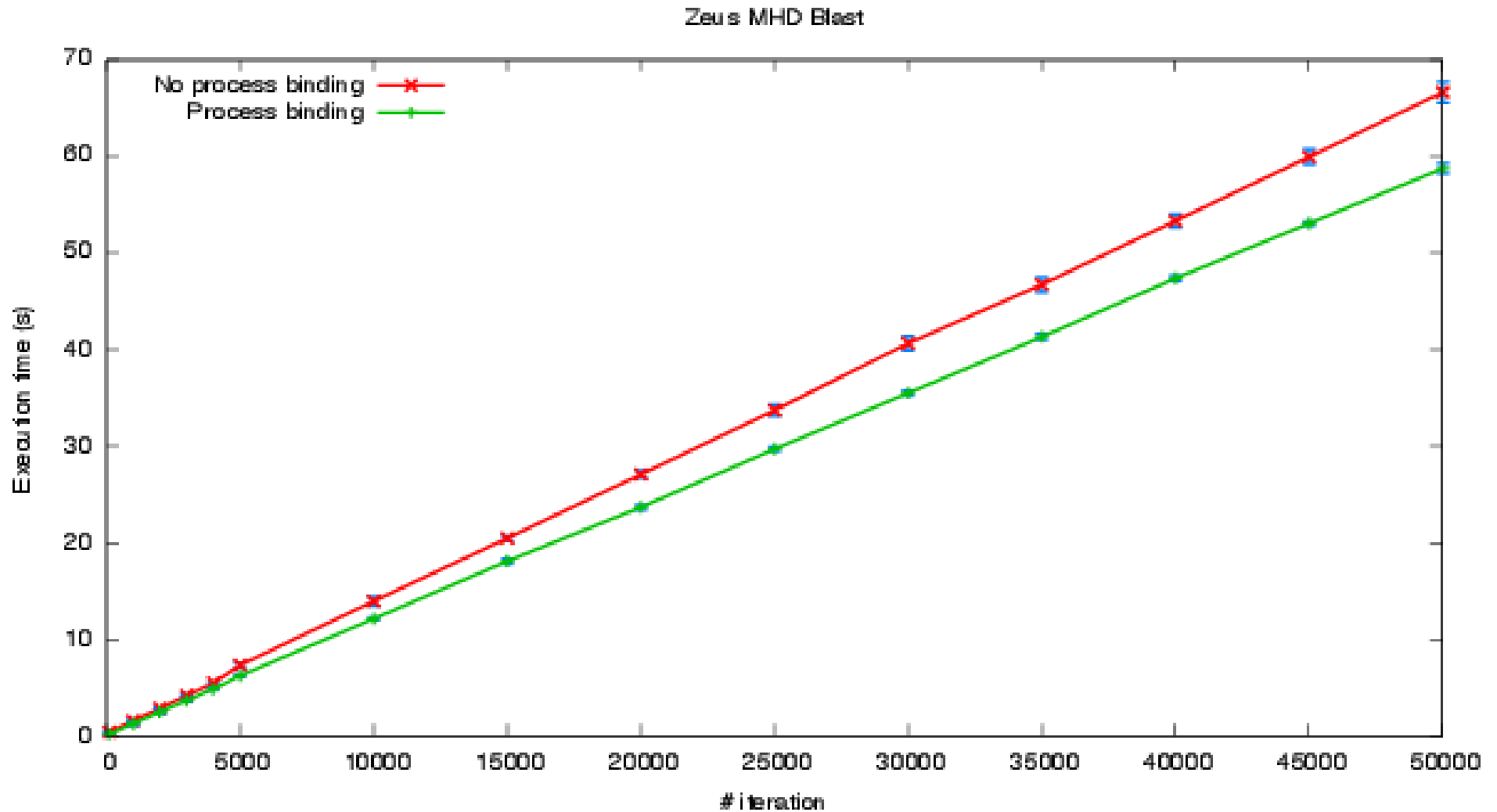
What to do about locality in runtimes?

- Place processes/tasks according to their affinities
 - If two tasks communicate/synchronize/share a lot, keep them physically close
 - Main focus of this talk
- Adapt your algorithms to the locality
 - Adapt communication/synchronization implementations to the topology
 - Hierarchical OpenMP barriers
 - Adapt your buffers to (shared) cache size

Process binding

- Some MPI implementations bind processes by default (Intel MPI, Open MPI 1.8 in some cases)
 - Because it's better for reproducibility
- Some don't
 - Because it may hurt your application
 - Oversubscribing? Dynamic processes?
- Binding doesn't guarantee that your processes are optimally placed
 - It just means your processes won't move
 - No migration, less cache issues, etc.

To bind or not to bind?

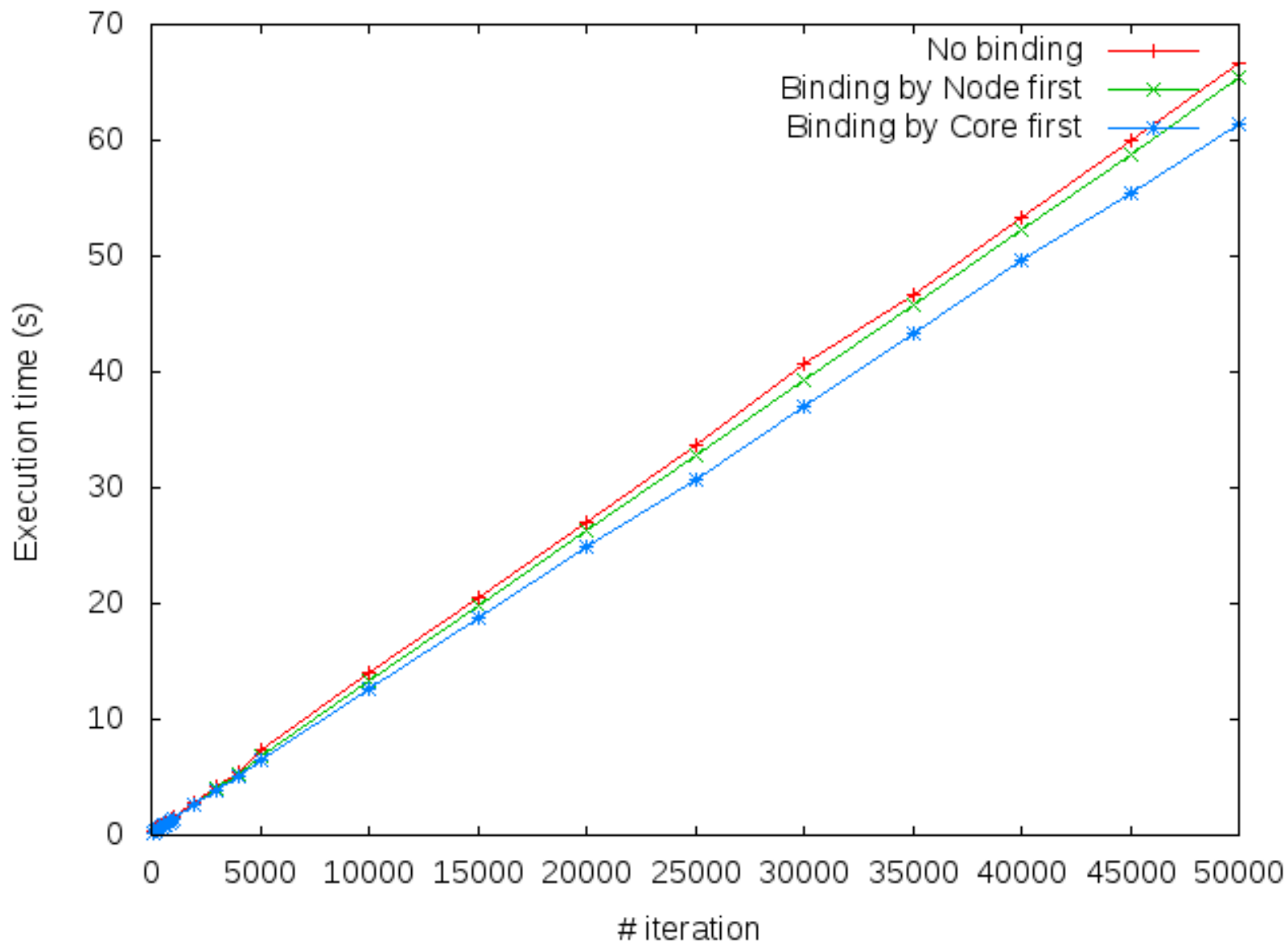


Zeus MHD Blast. 64 Processes/Cores. Mvapich2 1.8. + ICC

Ok, I need to bind. But where?

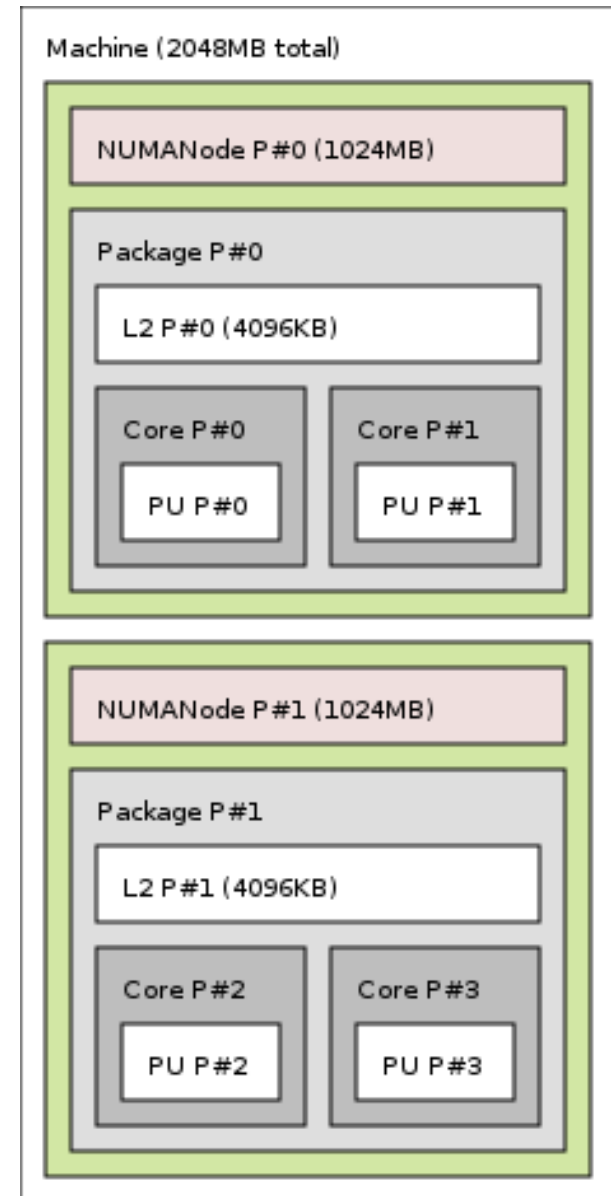
- Default binding strategies?
 - By core first (compact, --map-by core, etc.)
 - One process per core on first node, then one process per core on second node, ...
 - By node first (scatter, --map-by node/socket, etc.)
 - One process on first core of each node, then one process on second core of each node, ...
- Your application likely prefers one to the other
 - The first one?
 - Because your algorithms often communicate more between immediate neighbors
 - Sometimes the other one...

Binding strategy impact



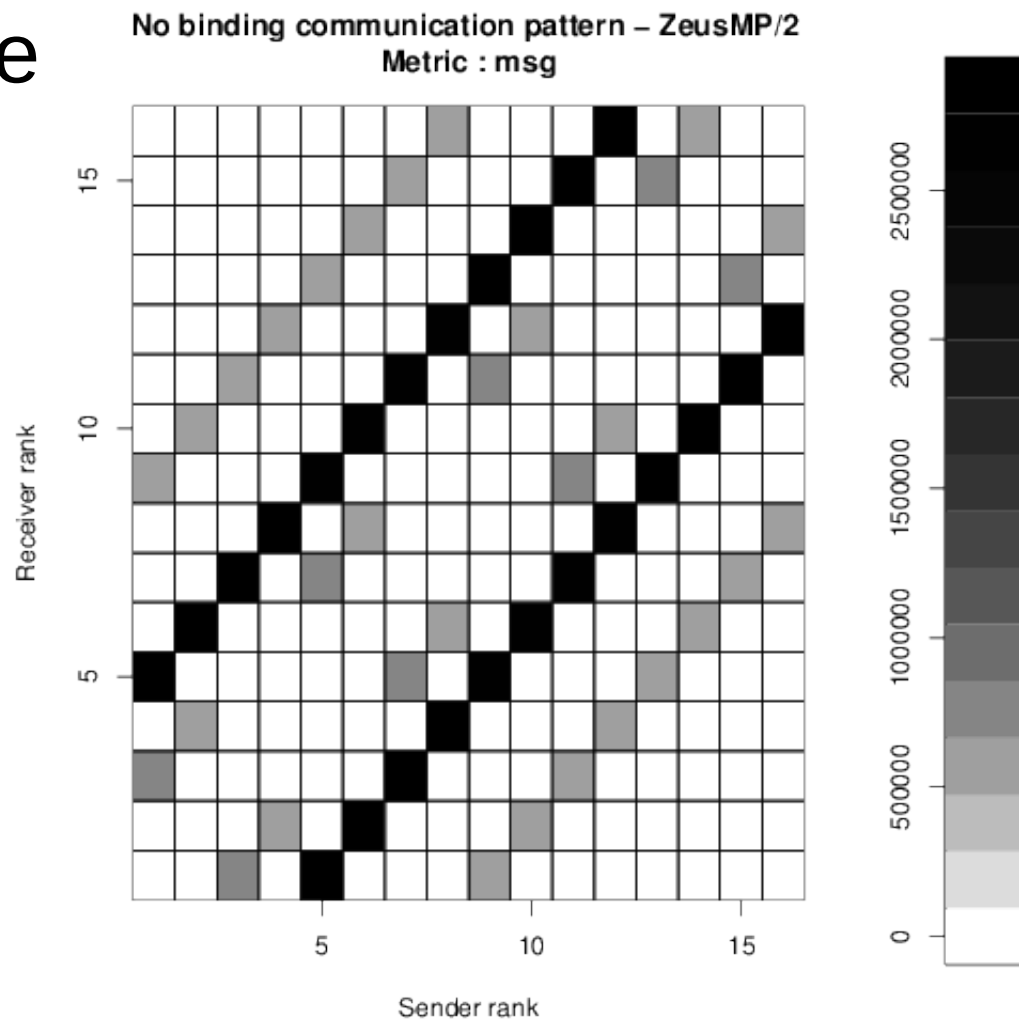
How do I choose?

- Dilemma
 - Use cores 0 & 1 to share cache and improve synchronization cost?
 - Use cores 0 & 2 to maximize memory bandwidth?
- Depends on the application needs
 - And machine characteristics



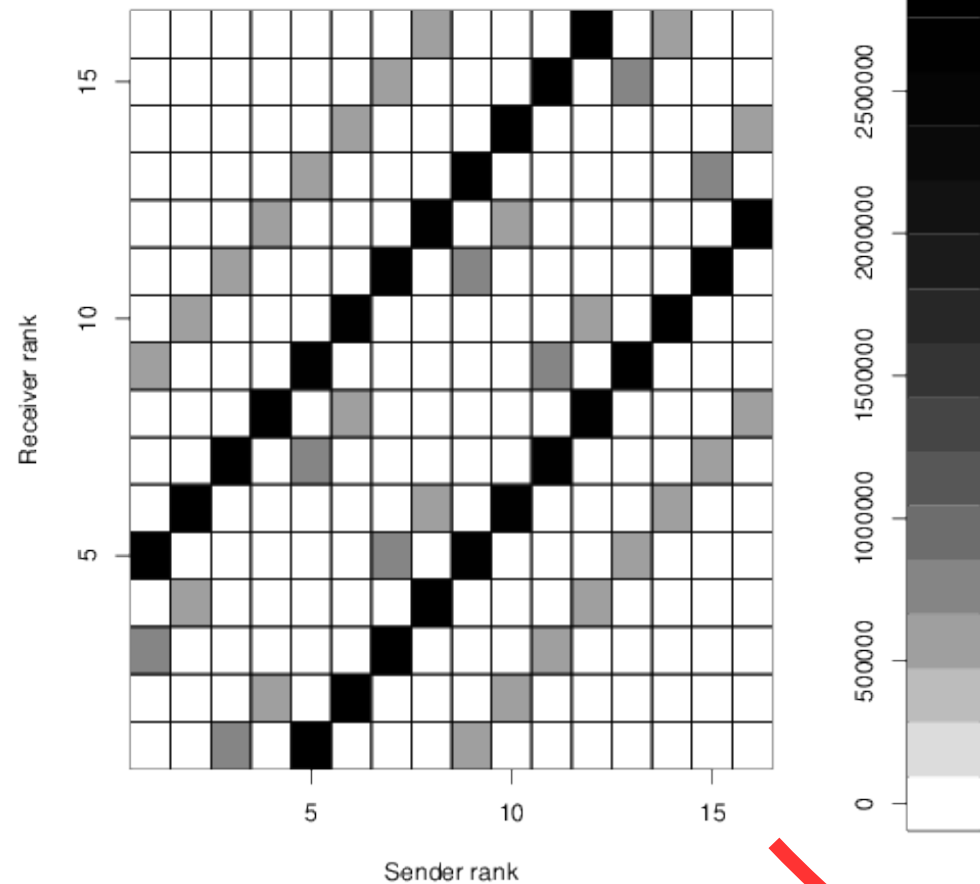
Topology-aware MPI process placement with TreeMatch

- Some tasks communicate a lot with each other
 - The physical distance will slow down some messages
 - Try to keep them close!
- Some don't
 - No constraint on placement

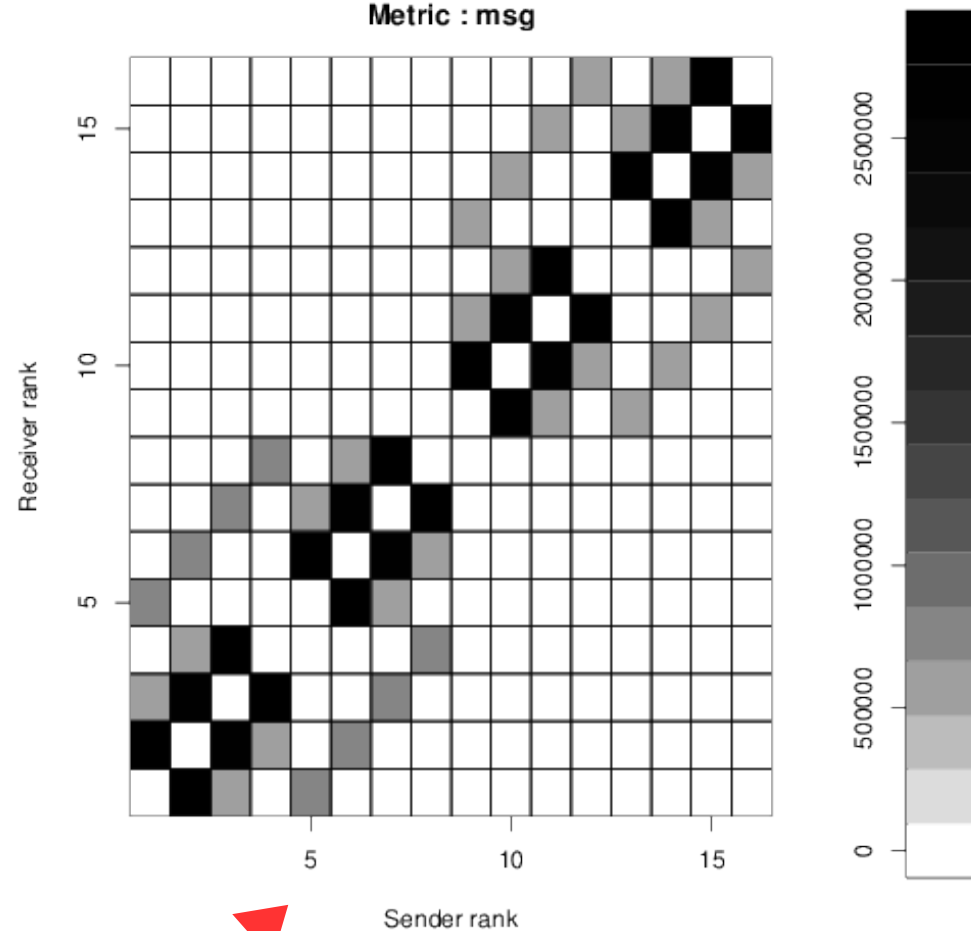


Reordering tasks to improve locality

No binding communication pattern – ZeusMP/2
Metric : msg

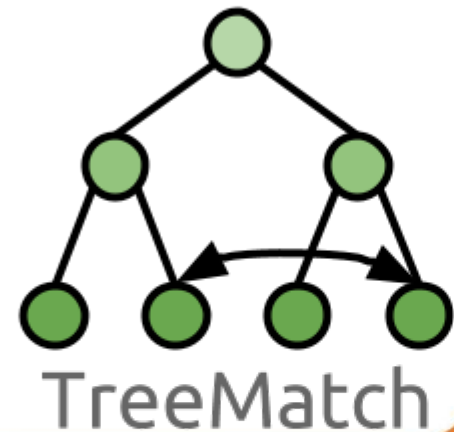


TreeMatch communication pattern – ZeusMP/2
Metric : msg



Reordering with TreeMatch

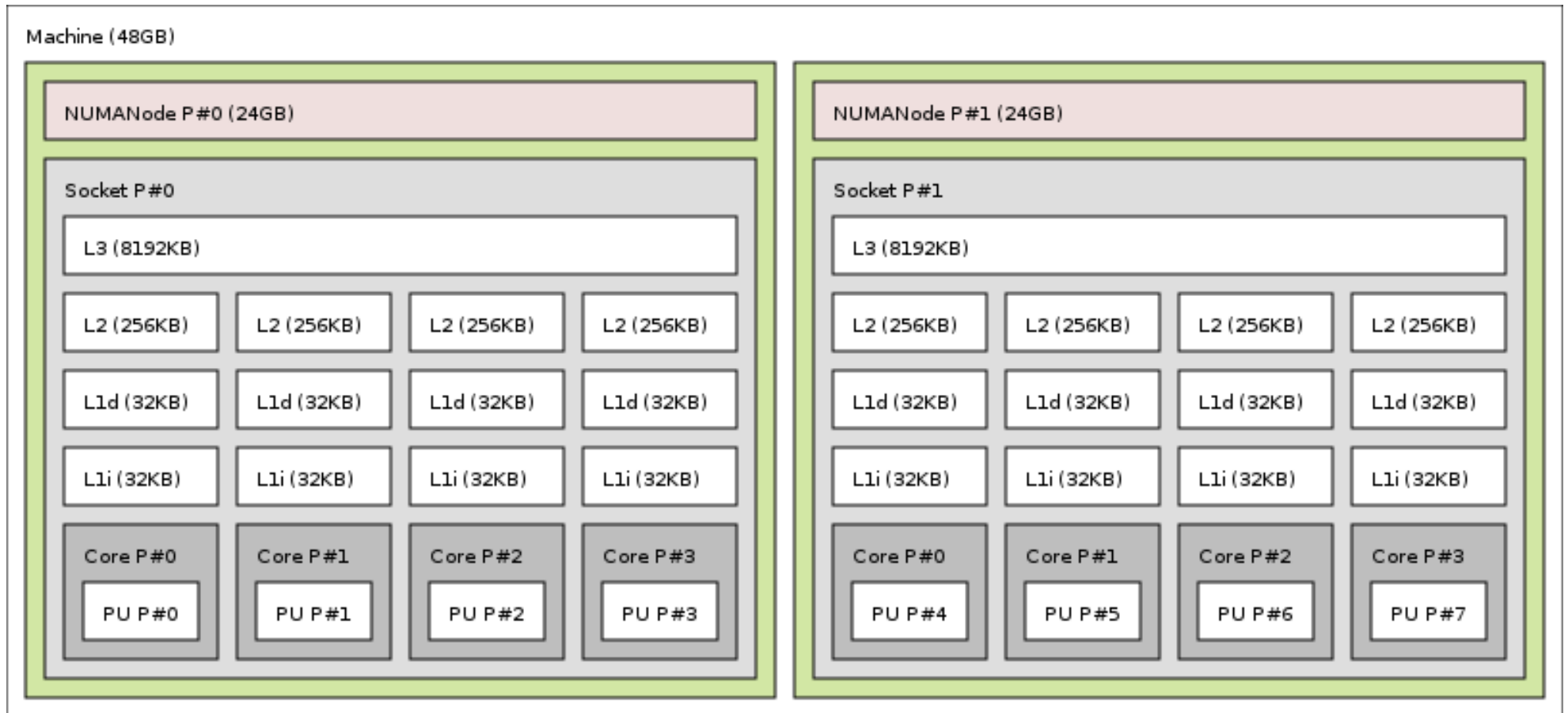
- At process launch-time
 - mpiexec options
- Dynamically
 - MPI_Dist_graph_create() to swap MPI ranks' roles between application steps
 - Charm++ load-balancer
- The communication volume is unchanged
 - But big volumes move inside nodes
- Faster execution!



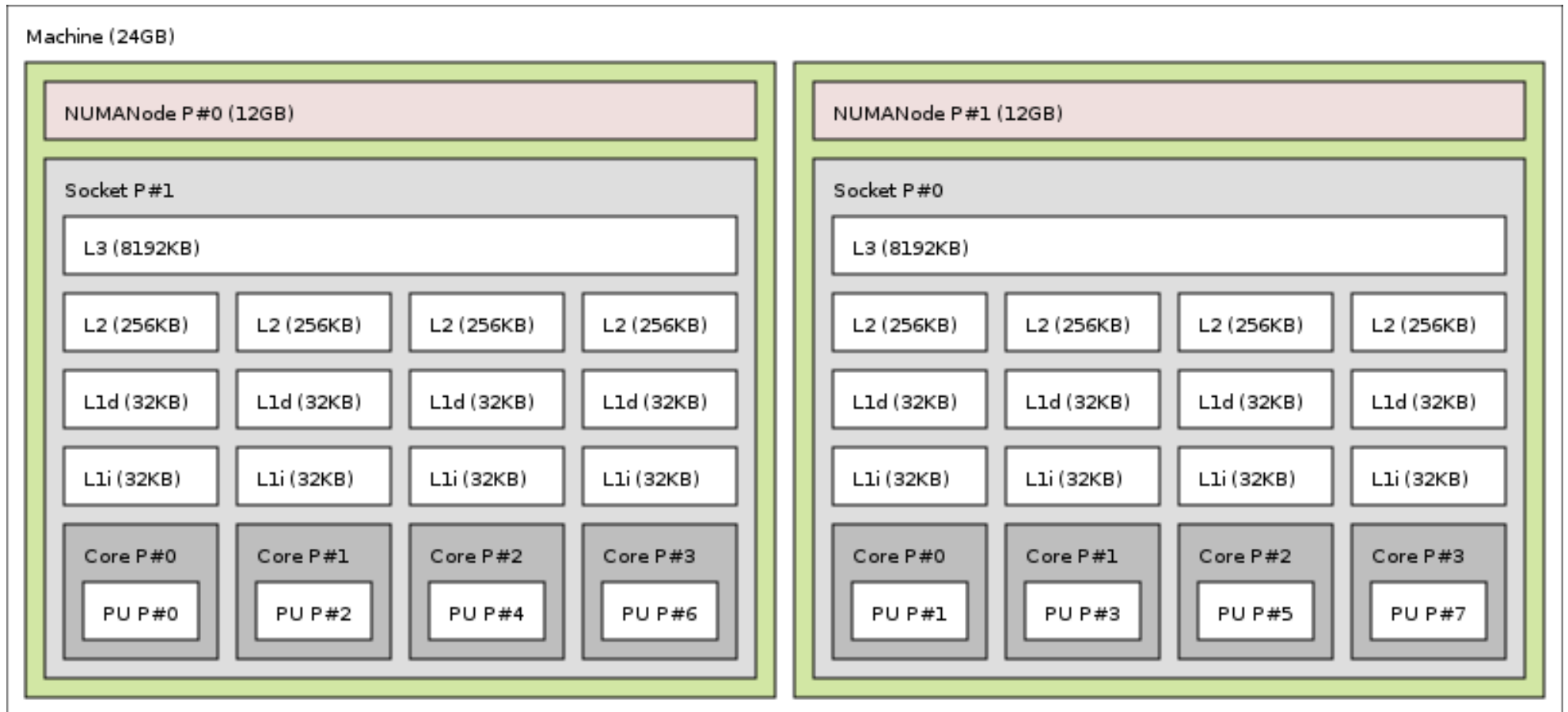
3

What's the actual
problem ?

Example of dual Nehalem Xeon machine



Another example of dual Nehalem Xeon machine



Processor and core numbers are crazy

- Resource ordering/numbering is unpredictable
 - Can (and does) change with the vendor, BIOS version, etc.
- Some resources may be unavailable
 - Batch schedulers allocates parts of machines
 - Core numbers may be non-consecutive, not start at 0, etc.
- Don't assume anything about these numbers
 - **Otherwise your code won't be portable**

Vertical ordering of levels (who contains who)



Vertical ordering isn't reliable either

- Modern processors have 2 NUMA nodes each
 - Xeon E5v3, Opteron 6000, Power8, Sparc64 Xlfx
 - But old platforms have multiple processor packages per NUMA nodes
- Levels of caches and sharing may vary
- Don't assume anything about vertical ordering
 - Or (again) your code won't be portable
 - e.g.: Even the Intel OpenMP binding isn't always correct

Gathering topology information is difficult

- Lack of generic, uniform interface
 - Operating system specific
 - /proc and /sys on Linux
 - rset, sysctl, lgrp, kstat on other OS
 - Hardware specific
 - x86 CPUID instruction, device-tree, PCI config space, etc.
- Evolving technology
 - AMD Bulldozer introduced dual-core Compute Units
 - It's not two real cores, neither one hyper-threaded core
 - New kinds of hierarchy/resources?
- And some BIOS report buggy information

Binding is difficult too

- Lack of generic, uniform interface (again)
 - Process/thread binding
 - sched_affinity() system call changed twice in Linux
 - Memory binding
 - 3 different system-calls on Linux
 - mbind(), migrate_pages(), move_pages()
 - Different constraints
 - Bind to single core only? To contiguous set of cores? To random sets of cores?
 - Many different policies

4

Introducing hwloc (Hardware Locality)

What hwloc is

- Detection of hardware resources
 - Processing units (PU) = logical processors, hardware threads, hyperthreads
 - Things that can run a task
 - Core, packages (sockets), ... (things that contain PUs)
 - Memory nodes, shared caches
 - I/O devices
 - PCI devices and corresponding software handles
- Described as a tree
 - Logical resources identification and organization
 - **Based on locality**

What hwloc is (2/2)

- API and tools to consult the topology
 - Which cores are near this NUMA memory node ?
 - Give me a single thread in this package
 - Which NUMA memory node is near this GPU ?
 - What shared cache size between these cores ?
- Without caring about hardware strangeness
 - Non portable and crazy numbers, names, ...
- A portable binding API
 - No more Linux sched_setaffinity() API breakage
 - No more tens of different binding API with different types

What hwloc is **NOT**

- A placement algorithm
 - hwloc gives hardware information
 - You're the one that knows what your software does/needs
 - You're the one that must match software affinities to hardware localities
 - We give you the hardware information you need
- A performance analysis tool

hwloc's History

- Ideas from Samuel Thibault's PhD on hierarchical thread scheduling (2003)
- Standalone library to ease MPI process placement (2009)
- Mainly developed by TADaaM@Inria Bordeaux
 - Within the Open MPI consortium
 - Collaboration with many industrial and academic partners
- BSD-3 license
- Many users

Alternative software with advanced topology knowledge

- numactl/libnuma
 - Only for NUMA + hardware threads
 - No cache, core, package/socket, etc.
- lscpu, lshw, lsusb, ...
 - Specific to some resources
 - Inventory without locality information
- Likwid (performance optimization tool)
 - Now uses hwloc internally
- Intel Compiler (icc)
 - x86 specific, no API

hwloc Status

- Current stable release : 1.11.3 (April 2016)
- Support for most operating systems and HPC platforms
- Major release every 6 months
 - Backward compatible
- Next major release will be super-major
 - 2.0 expected in 2016H2
 - **Will break the ABI (not fully backward compatible)**
 - Fix bad ideas from the first hwloc API

hwloc's view of the hardware

- Tree of objects
 - Machines, NUMA memory nodes, packages, caches, cores, threads
 - Logically ordered
 - Grouping similar objects using distances between them
 - Avoids enormous flat topologies
 - Many attributes
 - Memory node size
 - Cache type, size, line size, associativity
 - Physical ordering
 - Miscellaneous info, customizable

Installing hwloc

- Packages available in Debian, Ubuntu, Redhat, Fedora, CentOS, ArchLinux, NetBSD, etc
- You want the development headers too
 - libhwloc-dev, hwloc-devel, ...

Manual installation

- Take a recent tarball at <http://www.open-mpi.org/projects/hwloc>
- Dependencies
 - On Linux, numactl/libnuma development headers
 - Cairo headers for lstopo graphics
- `./configure --prefix=$PWD/install`
 - Very few configure options
- Check the summary at the end of configure

Manual installation

- make
- make install
- Useful environment variables

```
export C_INCLUDE_PATH=$C_INCLUDE_PATH:<prefix>/include
```

```
export LD_LIBRARY_PATH=$LD_LIBRARY_PATH:<prefix>/lib
```

```
export PKG_CONFIG_PATH=$PKG_CONFIG_PATH:<prefix>/lib/pkgconfig
```

```
export PATH=$PATH:<prefix>/bin
```

```
export MANPATH=$MANPATH:<prefix>/share/man
```

Using hwloc for this tutorial

- Install hwloc on your preferred cluster
- And install it on your laptop too
 - It will make remote machine consulting easier

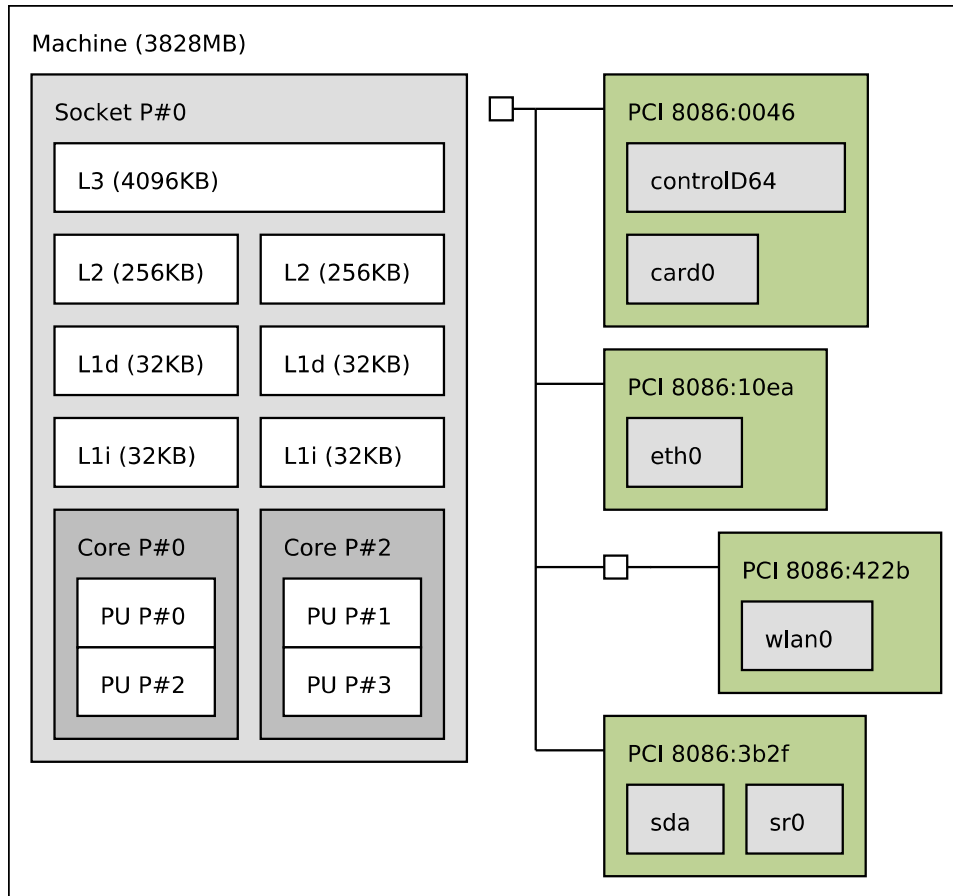
Using hwloc

- Many hwloc command-line tools
 - Istopo and hwloc-*
- ... but the actual hwloc power is in the C API
- Perl and Python bindings

5

Command-line Tools

Istopo (displaying topologies)



Machine (3828MB)

Package L#0 + L3 L#0 (4096KB)

L2 L#0 (256KB) + Core L#0

PU L#0 (P#0)

PU L#1 (P#2)

L2 L#1 (256KB) + Core L#1

PU L#2 (P#1)

PU L#3 (P#3)

HostBridge L#0

PCI 8086:0046

GPU L#0 "controlD64"

PCI 8086:10ea

Net L#2 "eth0"

PCIBridge

PCI 8086:422b

Net L#3 "wlan0"

PCI 8086:3b2f

Block L#4 "sda"

Block L#5 "sr0"

Istopo

- Many output formats
 - Text, Cairo (PDF, PNG, SVG, PS), Xfig, ncurses
 - Automatically guessed from the file extension
- XML dump/reload
 - Faster, convenient for remote debugging
- Configuration options for nice figures for papers
 - Horizontal/Vertical placement
 - Legend
 - Ignoring some resources
 - Creating fake topologies

Istopo

```
$ Istopo
```

```
$ Istopo --no-io -
```

```
$ Istopo myfile.png
```

```
$ ssh host Istopo saved.xml
```

```
$ Istopo -i saved.xml
```

```
$ ssh myhost Istopo -.xml | Istopo --if xml -i -
```

```
$ Istopo -i "numa:4 package:2 core:2 pu:2"
```


hwloc-bind

(binding processes, threads and memory)

- Bind a process to a given set of CPUs
\$ hwloc-bind package:1 -- mycommand myargs...
\$ hwloc-bind os=mlx4_0 -- mympiprogram ...
- Bind an existing process
\$ hwloc-bind --pid 1234 numa:0
- Bind memory
\$ hwloc-bind --membind numa:1 --cpubind numa:0 ...
- Find out if a process is already bound
\$ hwloc-bind --get --pid 1234
\$ hwloc-ps

hwloc-calc

(calculating with objects)

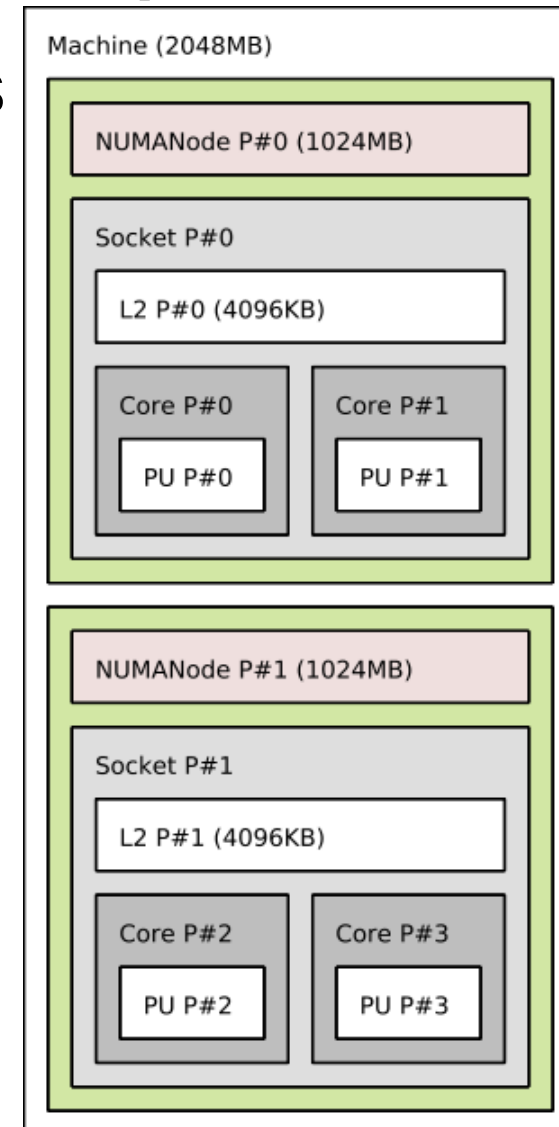
- Convert between ways to designate sets of CPUs, objects... and combine them

```
$ hwloc-calc package:1.core:1 ~pu:even  
0x00000008
```

```
$ hwloc-calc --number-of core numa:0  
2
```

```
$ hwloc-calc --intersect pu package:1  
2,3
```

- The result may be passed to other tools
 - Multiple invocations may be combined
 - I/O devices also supported
- ```
$ hwloc-calc os=eth0
```



# Other tools

- Get some object information
  - hwloc-info
- Generate bitmaps for distributing multiple processes on a topology
  - hwloc-distrib
- Save a Linux node topology info for debugging
  - hwloc-gather-topology
- Manipulating multiple topologies, etc.

# Hands-on Istopo

- Gather the topology of one server
- Display it on another machine
- Hide caches
- Remove the legend
- Restrict the display to a single package
- Export to PDF

# Hands-on hwloc-bind and hwloc-calc

- Bind a process to a core and verify its binding
- Find out how many cores are in the second NUMA node
- Find out the physical numbers of all non-first hyperthreads
- Find out which cores are close to InfiniBand
- Compare the DMA bandwidth from GPU#0 to both NUMA nodes using cudabw

# 6

## C Programming API

# API basics

- A hwloc program looks like this

```
#include <hwloc.h>
```

```
hwloc_topology_t topo;
```

```
hwloc_topology_init(&topo);
```

```
/* ... configure what topology to build ... */
```

```
hwloc_topology_load(topo);
```

```
/* ... play with the topology ... */
```

```
hwloc_topology_destroy(topo);
```

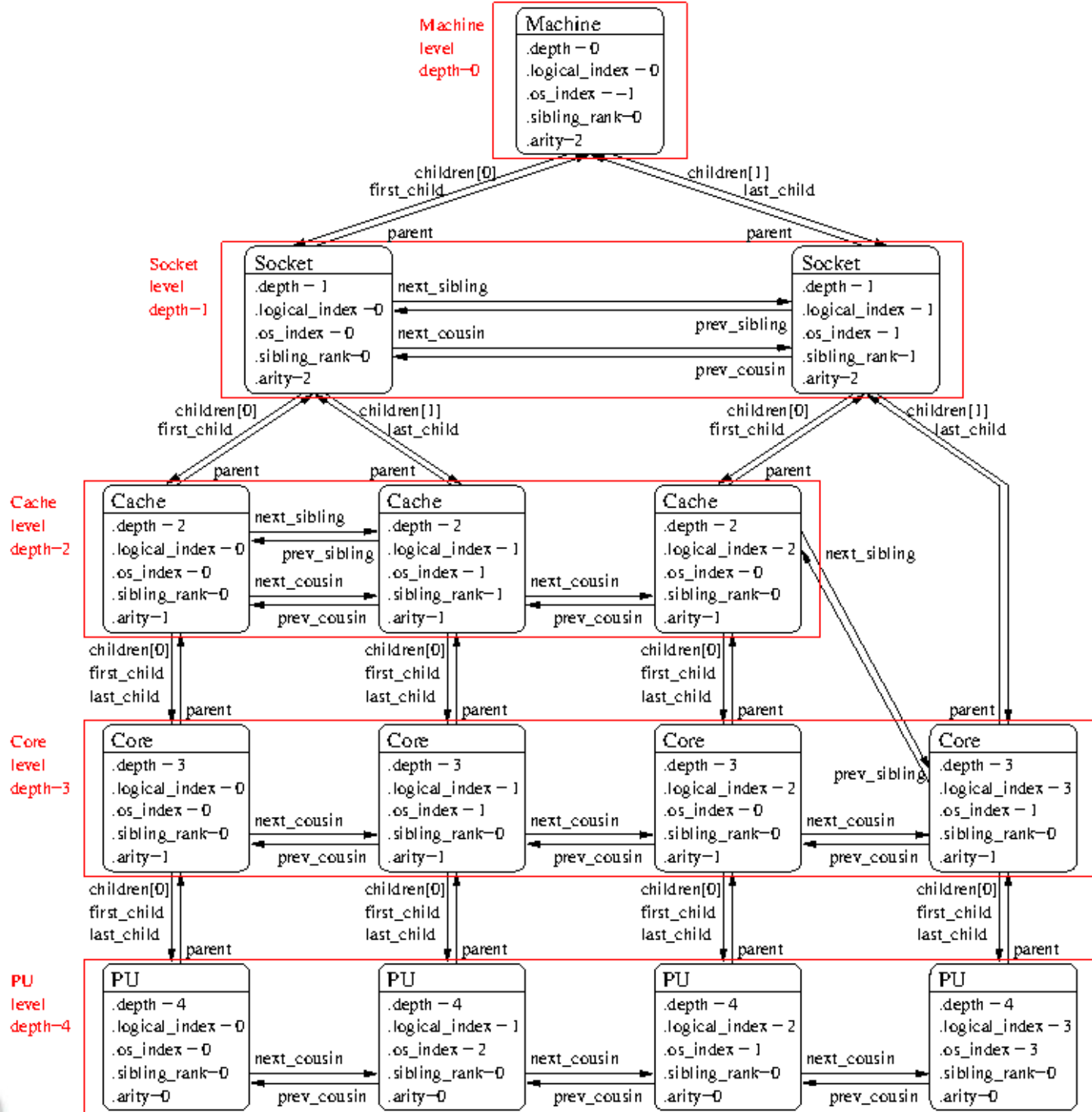
# Major hwloc types

- The topology context : `hwloc_topology_t`
  - You always need one
- The main hwloc object : `hwloc_obj_t`
  - That's where the actual info is
  - The structure isn't opaque
    - It contains many pointers to ease traversal
- Object type : `hwloc_obj_type_t`
  - `HWLOC_OBJ_PU`, `_PACKAGE`, `_CORE`, `_NUMANODE`, ...



# Object information

- Type
- Optional name string
- Indexes (see later)
- cpusets and nodesets (see later)
- Tree pointers (\*cousin, \*sibling, arity, \*child\*, parent)
- Type-specific attribute union
  - obj->attr->cache.size
  - obj->attr->pcidev.linkspeed
- String info pairs



# Browsing as a tree

- The root is `hwloc_get_root_obj(topo)`
- Objects have children
  - `obj->arity` is the number of children
  - The array of children is `obj->children[]`
  - They are also in a list
    - `obj->first_child`, `obj->last_child`
    - `child->prev_sibling`, `child->next_sibling`
    - NULL-terminated
- The parent is `obj->parent` (or NULL)

# Browsing as levels

- The topology is also organized as levels of identical objects
  - Cores, L2d Caches, ...
  - All PUs at the bottom
- Number of levels `hwloc_topology_get_depth(topo)`
- Number of objects on a level
  - `hwloc_get_nbobjs_by_type(topo, type)`
  - `hwloc_get_nbobjs_by_depth(topo, depth)`
- Convert between depth and type using
  - `hwloc_get_type_depth()` or `hwloc_get_depth_type()`

# Browsing as levels

- Find objects by level and index
  - `hwloc_get_obj_by_type(topo, type, index)`
  - There are variants taking a depth instead of a type
    - Note : the depth of my child is not always my depth + 1
      - Think of asymmetric topologies
- Iterate over objects of a level
  - Objects at the same levels are also interconnect by `prev/next_cousin` pointers
    - Don't mix up siblings (children list) and cousins (level)
  - `hwloc_get_next_obj_by_type/depth()`

# Hands-on browsing the topology

Starting from basic.c

- Print the number of cores
- Print the type of the common ancestor of cores 0 and 2
- Print the memory size near core 0
- Iterate over all PUs and print their physical numbers

# Physical or OS indexes

- obj->os\_index
  - The ID given by the OS/hardware
- P#3
  - Default in Istopo graphic mode
  - Istopo -p
- NON PORTABLE
  - Depend on motherboards, BIOS, version, ...
- DON'T USE THEM

# Logical indexes

- obj->logical\_index
  - The index among an entire level
- L#2
  - Default in Istopo except in graphic mode
  - Istopo -l
- Always represent proximity (depth-first walk)
- PORTABLE
  - Does not depend on OS/BIOS/weather
- That's what you want to use



# But I still need OS indexes when binding ?!

- NO !
- Just use hwloc for binding, you won't need physical/OS indexes ever again
- If you want to bind the execution to a core
  - `hwloc_set_cpubind(core->cpuset)`
    - Other API functions for binding entire processes, single thread, memory, for allocating bound memory, etc.

# Bitmap, CPU sets, Node sets

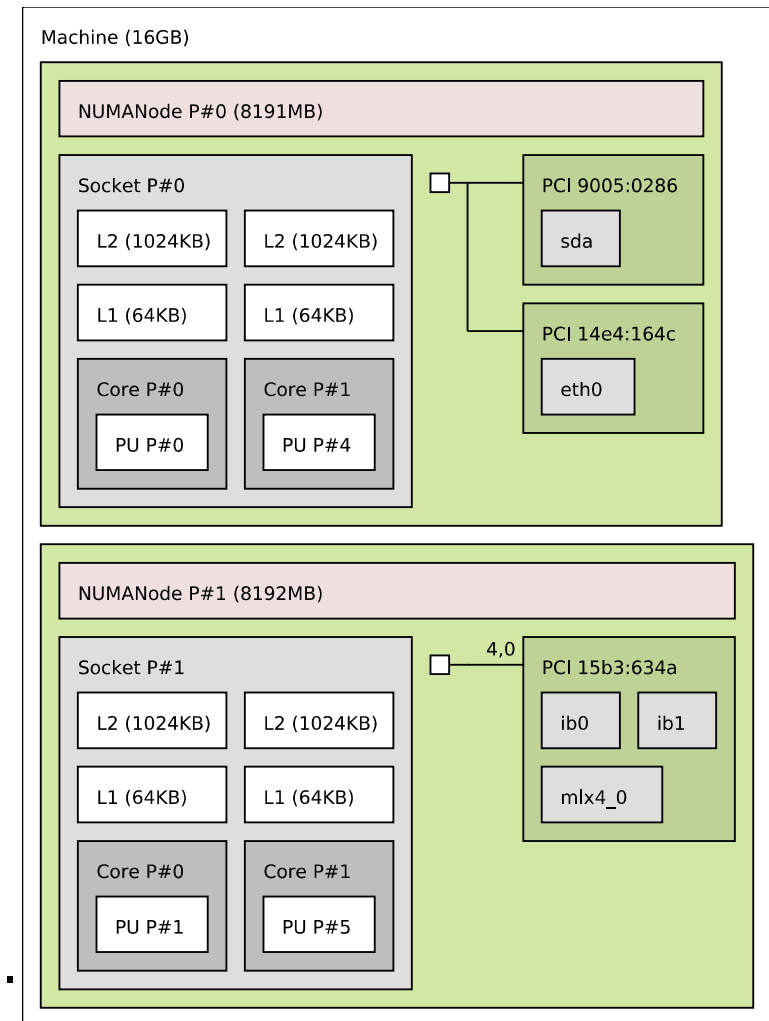
- Generic mask of bits : `hwloc_bitmap_t`
  - Possibly infinite
  - Opaque, used to describe object contents
    - Which PU are inside this object (`obj->cpuset`)
    - Which NUMA nodes are close to this object (`obj->nodeset`)
  - Can be combined to bind to multiple cores, etc.
    - and, or, xor, not, ...

# Hands-on bitmaps and binding

- Bind a process to 1<sup>st</sup> core
- Rebind the same process to cores 2 and 4
- Print its binding
- Print where it's actually running
  - Repeat
- Rebind to avoid migrating between cores
  - `hwloc_bitmap_singlify()`

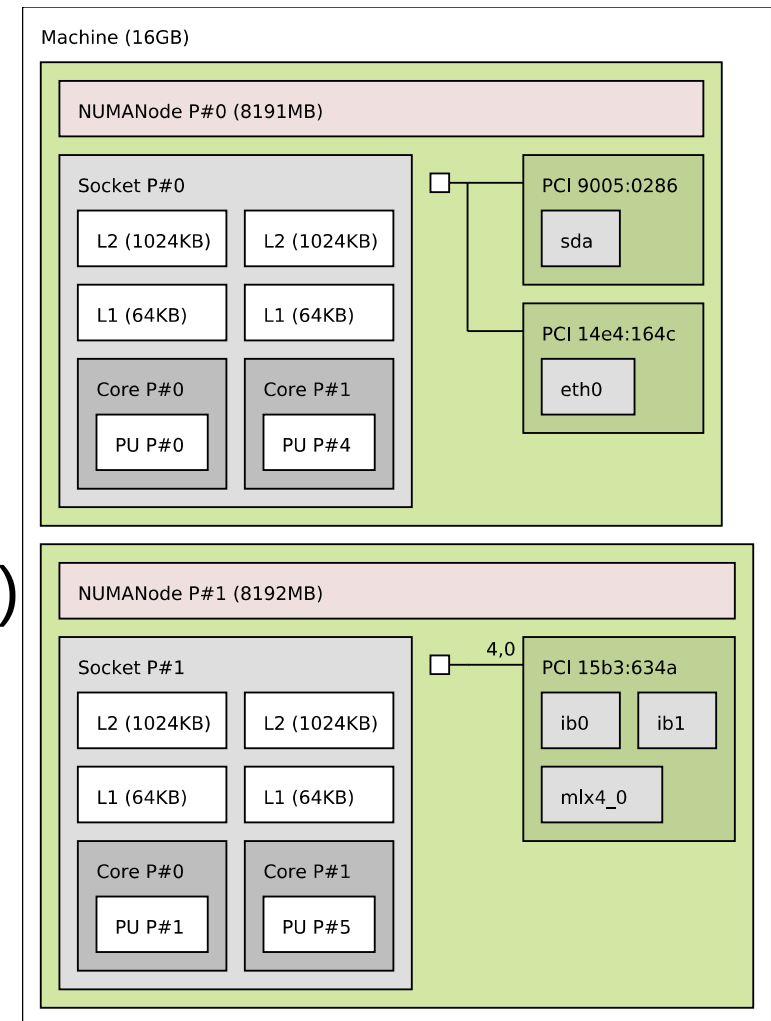
# I/O devices

- Binding tasks near the devices they use improves their data transfer time
  - GPUs, high-performance NICs, InfiniBand, ...
- You cannot bind tasks or memory on these devices
  - But these devices may have interesting attributes
    - Device type, GPU capabilities, embedded memory, link speed, ...



# I/O objects

- Some I/O trees are attached to the object they are close to
- PCI device objects
  - Optional I/O bridge objects
- How to match your software handle with a PCI device ?
  - OS/Software devices (when known)
    - sda, eth0, ib0, mlx4\_0
- Disabled by default
  - Except in Istopo



# Hands-on I/O

- Load cuda modules, etc.

Starting from `cuda.c`

- Find the NUMA node near each CUDA device

Starting from `ib.c`

- Find the NUMA node near each IB device

# Extended attributes

- obj->userdata pointer
  - Your application may store whatever it needs there
  - hwloc won't look at it, it doesn't know what's it contains
- (name,value) info attributes
  - Basic string annotations, hwloc adds some
    - Hostname, Kernel release, CPU model, PCI vendor, ...
    - See `lstopo -v` for (many) examples
  - You may add your own

# Configuring the topology

- Between `hwloc_topology_init()` and `load()`
  - `hwloc_topology_set_xml()`, `set_synthetic()`
  - `hwloc_topology_set_flags()`, `set_pid()`
  - `hwloc_topology_ignore_type()`
- After `hwloc_topology_load()`
  - `hwloc_topology_restrict()`
  - `hwloc_topology_insert_misc_object...`



# Helpers

- hwloc/helper.h contains a lot of helper functions
  - Iterators on levels, children, restricted levels
  - Finding caches
  - Converting between cpusets and nodesets
  - Finding I/O objects
  - And much more
- Use them to avoid rewriting basic functions
- Use them to understand how things work and write what you need

# 8

## Conclusion

# More information

- The documentation
  - <http://www.open-mpi.org/projects/hwloc/doc/>
  - Related pages
    - <http://www.open-mpi.org/projects/hwloc/doc/v1.11.3/pages.php>
  - FAQ
    - <http://www.open-mpi.org/projects/hwloc/doc/v1.11.3/a00030.php>
- README and HACKING in the source
- [hwloc-users@open-mpi.org](mailto:hwloc-users@open-mpi.org) for questions
- [hwloc-devel@open-mpi.org](mailto:hwloc-devel@open-mpi.org) for contributing
- [hwloc-announce@open-mpi.org](mailto:hwloc-announce@open-mpi.org) for new releases
- <https://github.com/open-mpi/hwloc/issues> for reporting bugs

Thanks!

Questions?

<http://www.open-mpi.org/projects/hwloc>



Brice.Goglin@inria.fr